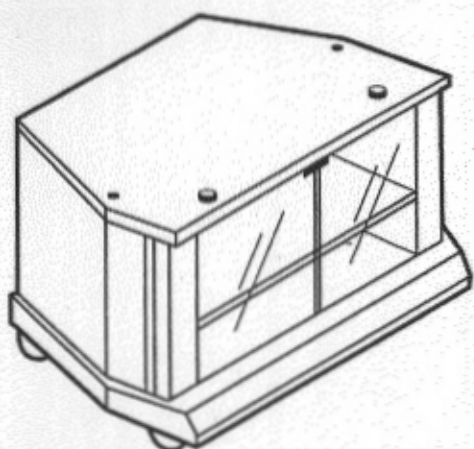


Panasonic®



Assembly Instructions TY-34WDM60J VIDEO STAND

The tools required:



Plus (+) screwdriver

Important






A study of the assembly instructions will not only save you time, but may prevent possible damage to your new stand.

Assistance may be required for some assembly procedures.





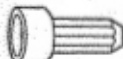








CAUTION: THIS STAND IS DESIGNED FOR USE WITH PANASONIC VIDEO MONITOR.

UL APPROVED MODEL: CT-34WDM60

Your hardware pack contains / Replacement parts

Assembly screw  2 Pcs. THEA024U	① Rear panel fastening screws  5 Pcs. THM915-2	Shelf pin  4 Pcs. TBL65347	② ③
Glass panel bushing  2 Pcs. TBL65368	④ Caster  6 Pcs. TBLB3023	⑤	

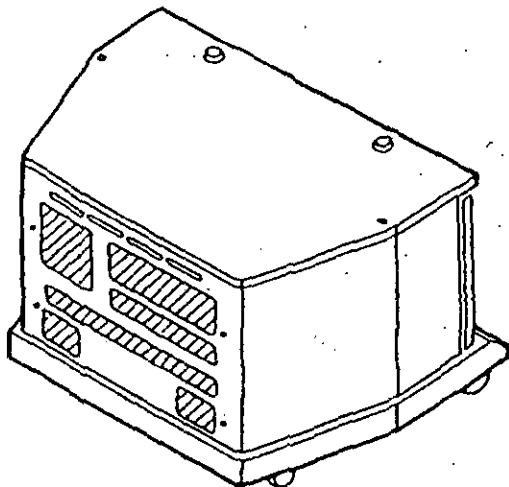
Replacement parts

Glass panel shaft seat  TMZ159972-2	Screw  XSB4+8FZ	Screws  XMM31+16	Magnetic catch  TKKF0004	Plastic position pin  TBL65392
"Push" metal pad  TBLA3007	Metal pad  TKK68460-1	Left partition panel  TBLH0148	Right partition panel  TBLH0147	
Right door's hing  TBLA3039	Left door's hing  TBLA3040	Glass pane (door)  TKGA5041	Glass fixture screw  THE747V	

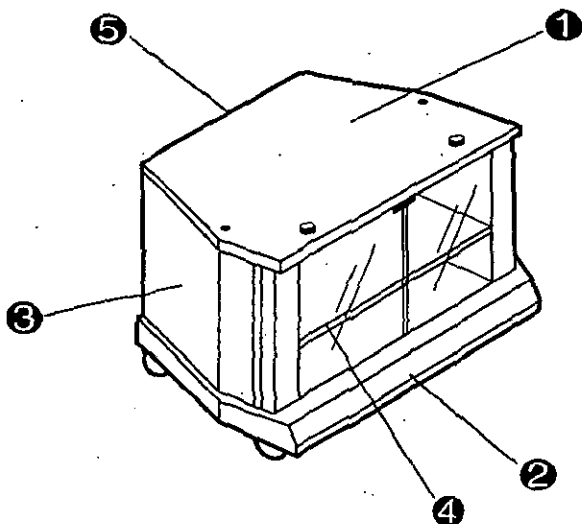
Placement

STEP 1

When placing video sets and other instruments

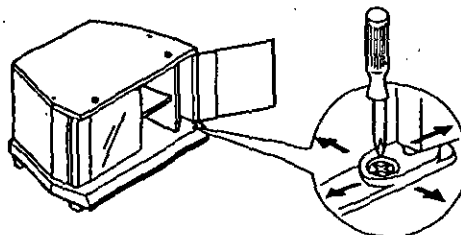


Knock-out (*shaded*) parts could be removed from the rear panel for wiring and ventilation of the instrument(s) placed inside.



STEP 2

In case of offset or inclination of the doors

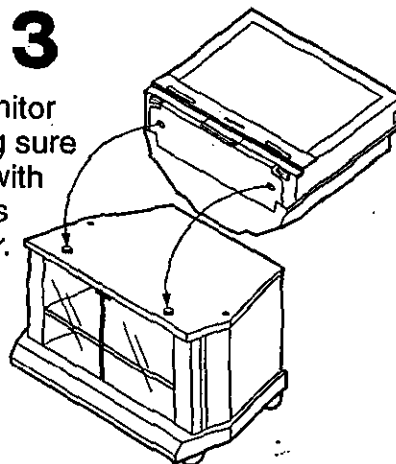


1. Loosen the screw of the glass panel bushing by using a plus (+) screwdriver.
2. Move the bushing left, right, backward or forward to adjust for offset or inclination.
3. Tighten the screw after finishing the adjustment.

* Do not use electric powered screwdrivers.

STEP 3

Place Video Monitor on stand making sure pins are in line with the bottom holes of Video Monitor.



REPLACEMENT PARTS

Ref.	Description	Qty.	Part No.
1	Top panel	1	TBLH0245
2	Bottom panel	1	TBLH0146
3	Side panel	2	TBLH0219
4	Shelf panel	1	TBLH3093
5	Rear panel	1	TBLH3150

To maintain appearance we recommend the following:

Painted Surfaces: Use a damp cloth for cleaning. Do not use any abrasive or chemical treated cleaners.

NOTE: As with all indoor furniture, this unit should not be exposed to direct sunlight, extreme temperatures or moisture, as this can result in serious irreparable damage.

For improvement purposes, design and specifications are subject to change without notice.

When making a part(s) inquiry, please quote part no. & description.

For parts inquiries or for out of warranty purchases:

PANASONIC SERVICES COMPANY

20421 84th Avenue South, Kent, Washington 98032 · Tel: 1-800-833-9626 · Fax: 1-800-237-9080

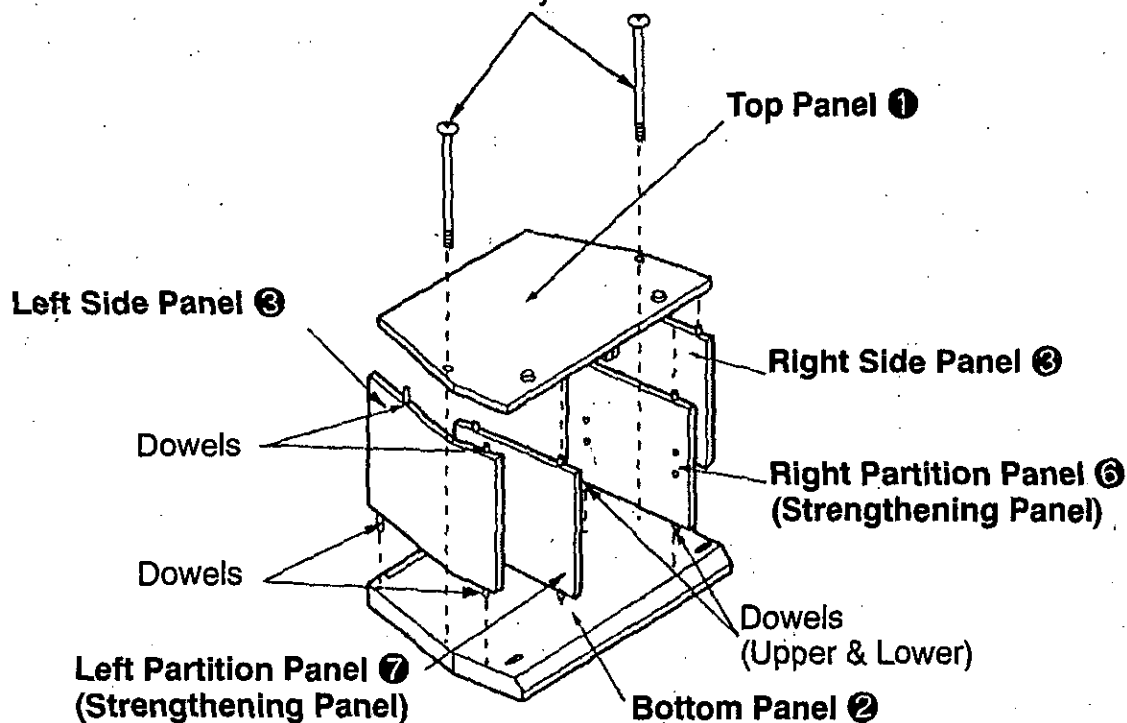
© 1999 Matsushita Electric Industrial Co., Ltd. · All rights reserved. Unauthorized copying and distribution is a violation of law.

Assembly

STEP 1

Assembling the Top Panel, Bottom Panel, Left & Right Sides Panels, and Left & Right Partition Panels

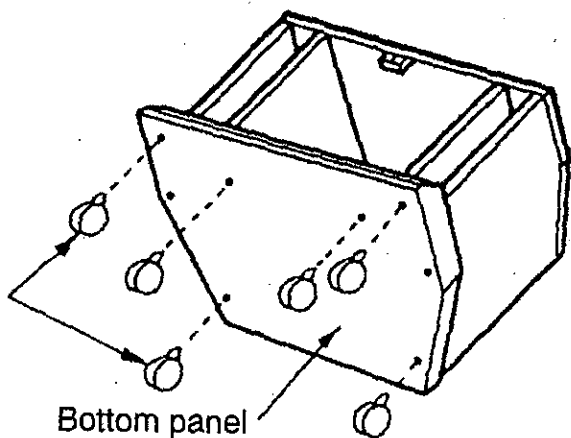
Use the assembly screws ① and attach firmly.



STEP 2

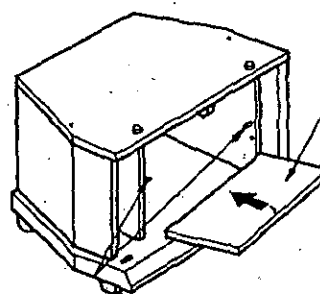
Attaching the Casters

Insert the casters firmly.



STEP 3

Attaching the Shelf Panel

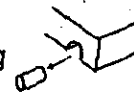


Shelf Panel ④
Face the black side toward the front.

Insert the shelf supporting pins ③ into the holes on the inward side of the partition panel ⑥⑦. The shelf can be set at 2 levels.

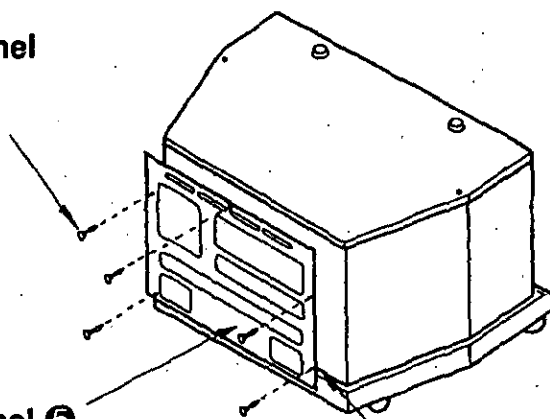
Incline the panel and place the dented parts over the shelf supporting pins.

Shelf supporting pin



STEP 4 Attaching the Rear Panel

Rear panel fastening screws ②

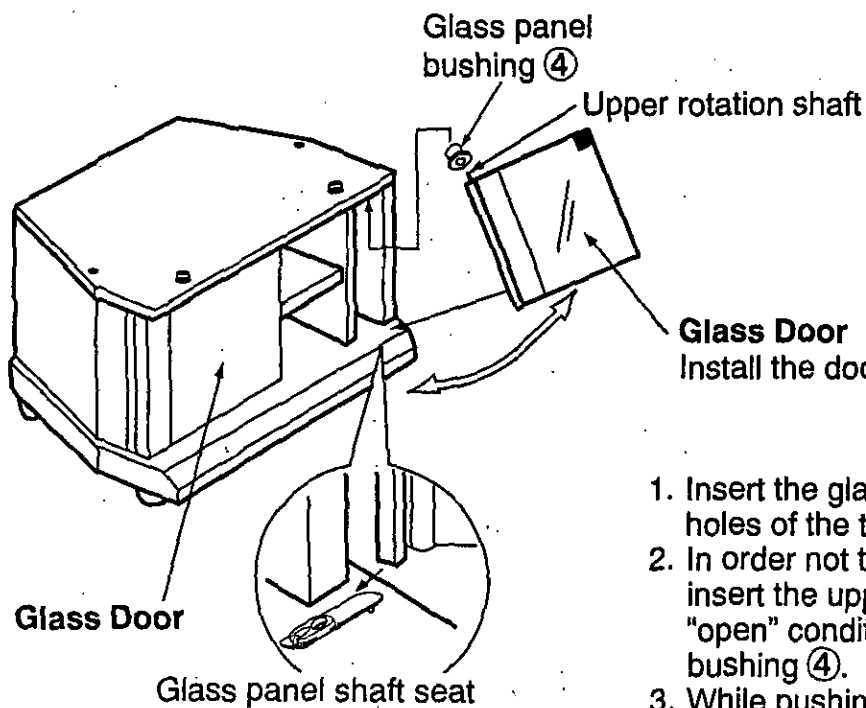


Rear Panel ⑤

Face the black side toward the inside. Insert in the groove.

Tighten the rear panel fastening screws ② to strengthen the overall structure.

STEP 5 Attaching the glass doors



Glass Door
Install the door (in "open" conditions.)

1. Insert the glass panel bushing ④ into the holes of the top panel.
2. In order not to scratch the bottom panel, insert the upper shaft of the glass door (in "open" conditions) into the glass panel bushing ④.
3. While pushing the upper rotation shaft upward, slip the lower rotation shaft into the glass panel bushing. Make sure it is locked in position.